

A. PURPOSE

The intent of this standard plan is to provide public safety and... Building shall not be less than 1 1/2 inches in diameter...

B. SCOPE

This building will fall of their foundations. (See Chapter 22 of... 2) The building is supported of the perimeter by a continuous...

C. GENERAL REQUIREMENTS

PRE-INSPCTION REQUIREMENTS: All existing conditions and placement... INSPECTION REQUIREMENTS: All existing conditions and placement...

D. DEFINITIONS

ADHESIVE ANCHORS: A fastener placed in hardened concrete, that... ANCHOR SIDE PLATE: A metal plate or plates used to connect...

E. MATERIALS

ADHESIVE ANCHORS: All adhesive anchors shall use... ANCHOR SIDE PLATE: All anchor side plates shall be of minimum...

F. FABRICATORS IN PRESERVATIVE TREATED WOOD

FABRICATORS IN PRESERVATIVE TREATED WOOD: Fabricators in... The contractor shall submit a copy of the report for approval...

G. ANCHOR BOLT INSTALLATION

1. GENERAL REQUIREMENTS: All concrete shall be fully... 2) DRILLING OF THE HOLE IN CONCRETE: The drilled hole diameter...

H. ANCHOR SIDE PLATE INSTALLATION

1. TORQUE REQUIREMENTS: A minimum torque setting equal to... 2) INSTALLATION OF THE ANCHOR BOLTS IN THE existing concrete...

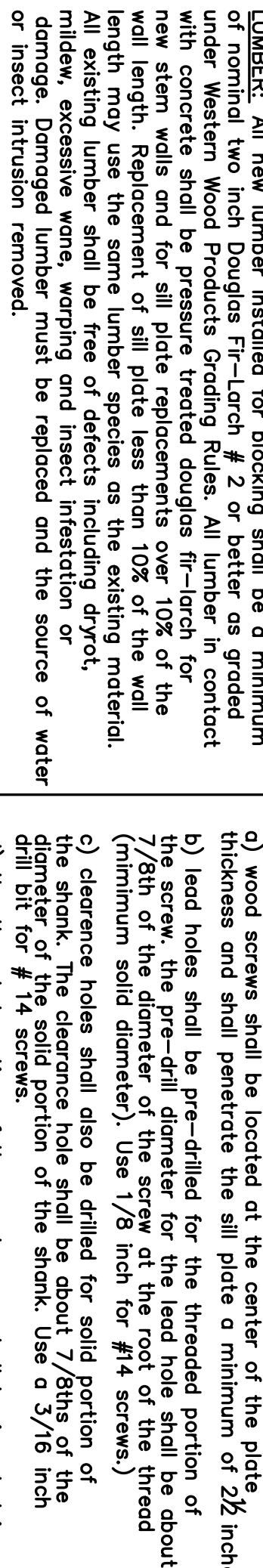
I. BRACING, FRAMING ANCHORS & VENTILATION

1. Framing members or 2x4 blocking shall be provided at the edge... 2) BRACING: Framing members shall be provided at the edge...

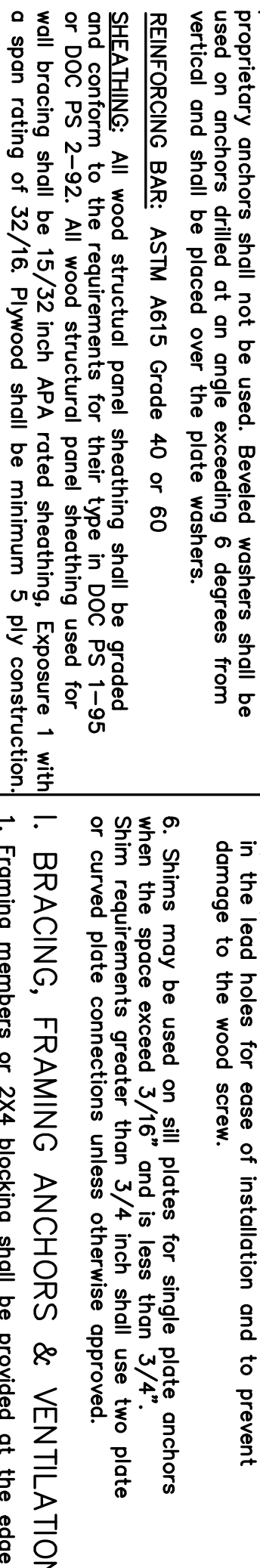
J. REPLACEMENT OF EXISTING FOOTINGS & STEM WALLS

1. REPLACEMENT OF EXISTING FOOTING AND STEM WALL: The... 2) BRACING: Framing members shall be provided at the edge...

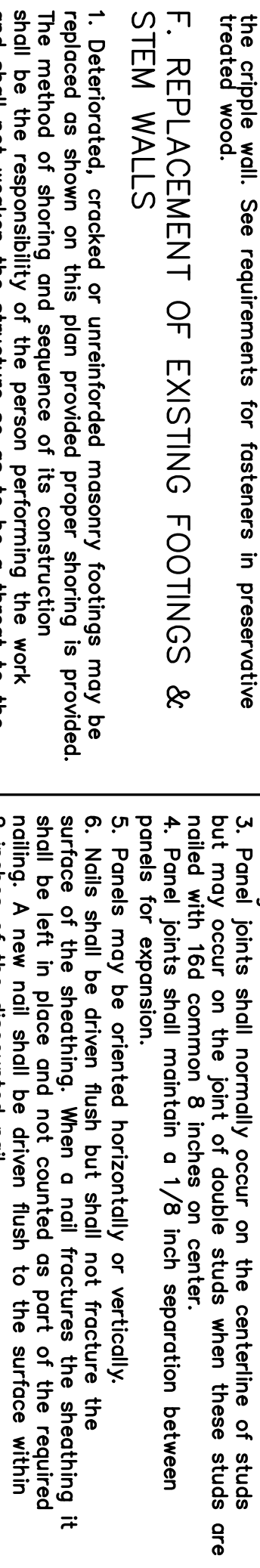
K. CRIPPLE WALL SECTION--PARALLEL JOISTS



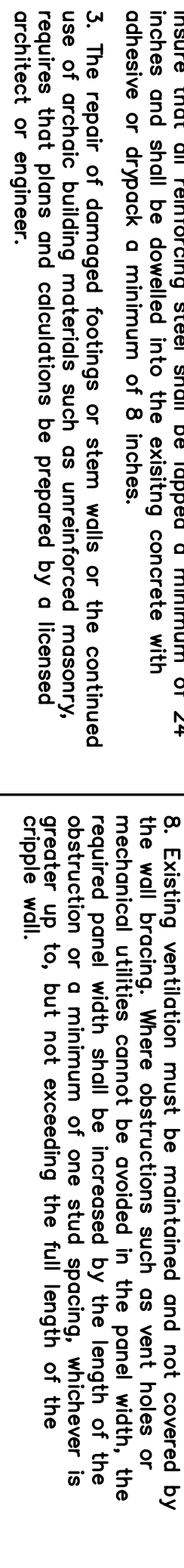
L. CRIPPLE WALL BRACING--OPENING REINFORCEMENT



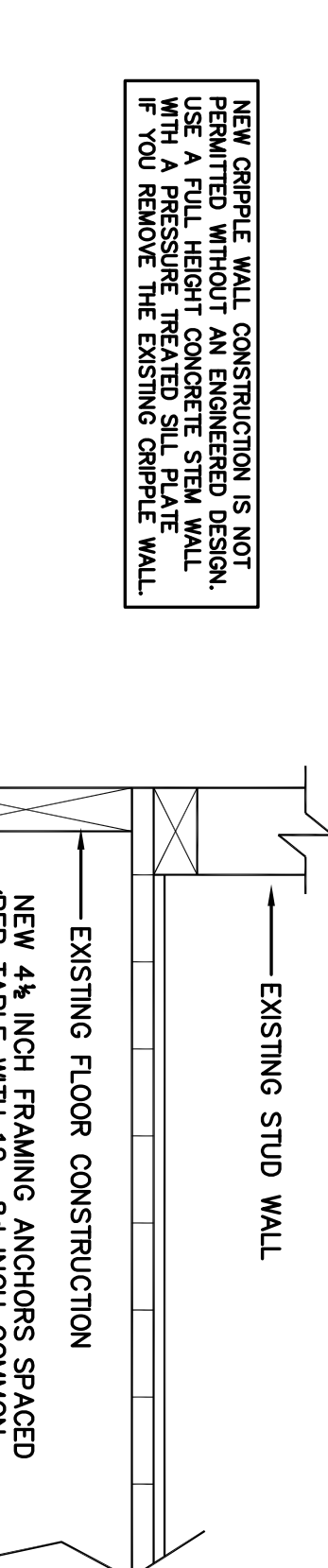
M. CRIPPLE WALL BRACING--INTERIOR ELEVATION



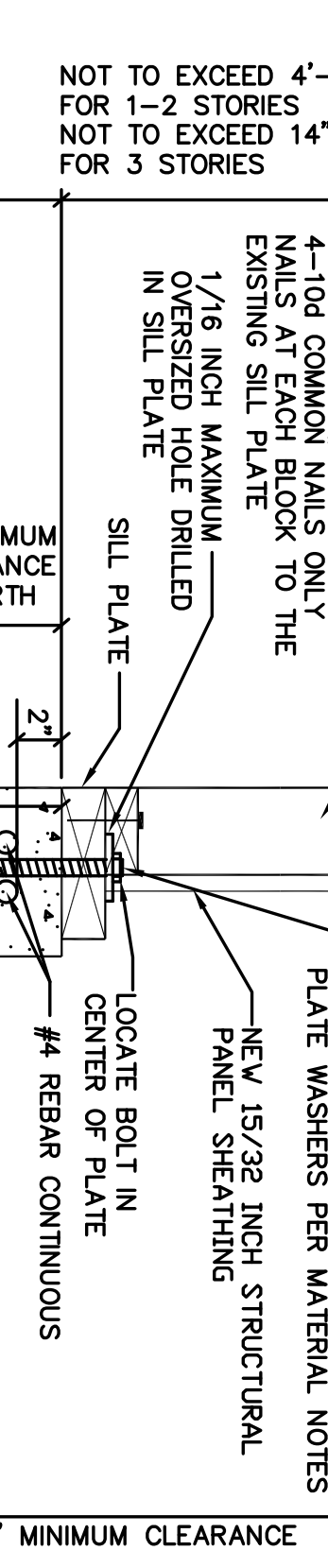
N. CRIPPLE WALL SECTION--PERPENDICULAR JOISTS



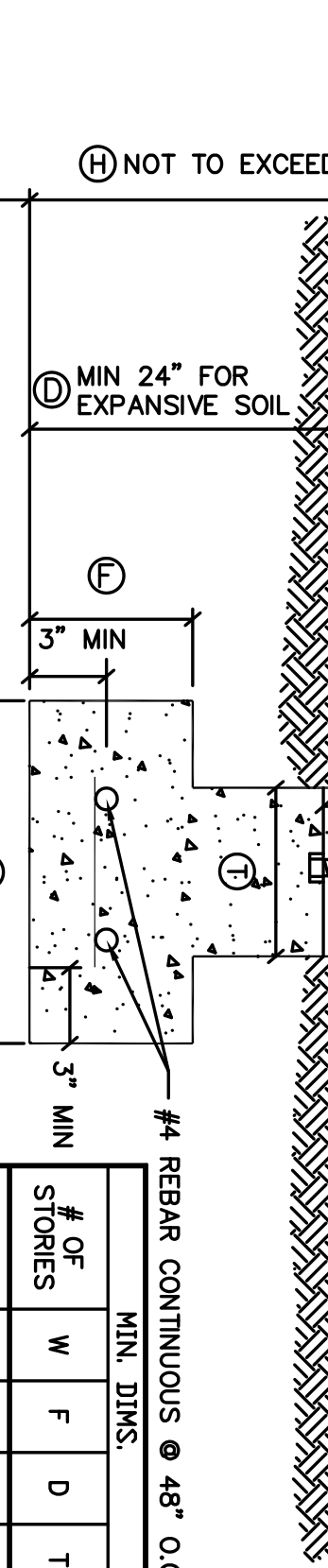
O. CRIPPLE WALL BRACING--NO CRIPPLE WALL PARALLEL OR PERPENDICULAR JOIST



P. SILL PLATE BOLTING--TRAPEZOIDAL FOOTING



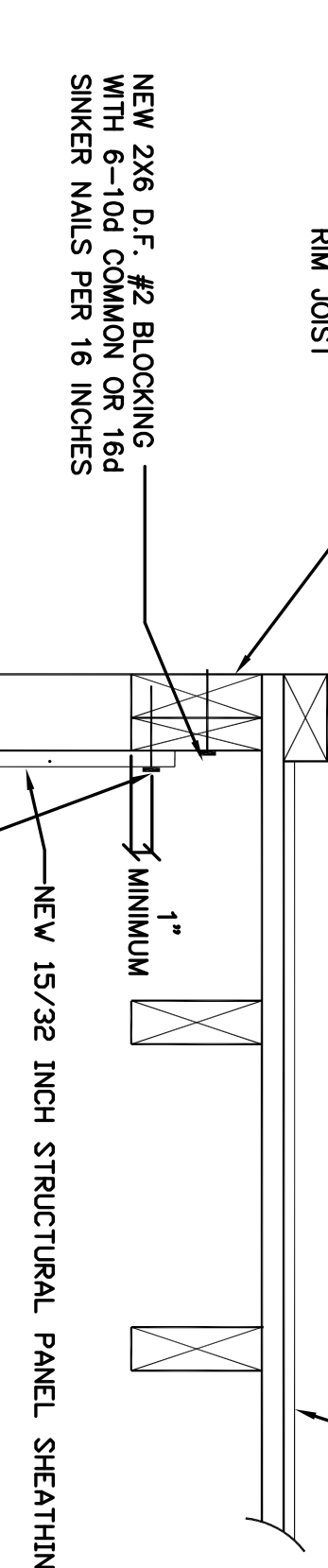
Q. SILL PLATE BOLTING--NO CRIPPLE WALL PARALLEL OR PERPENDICULAR JOIST



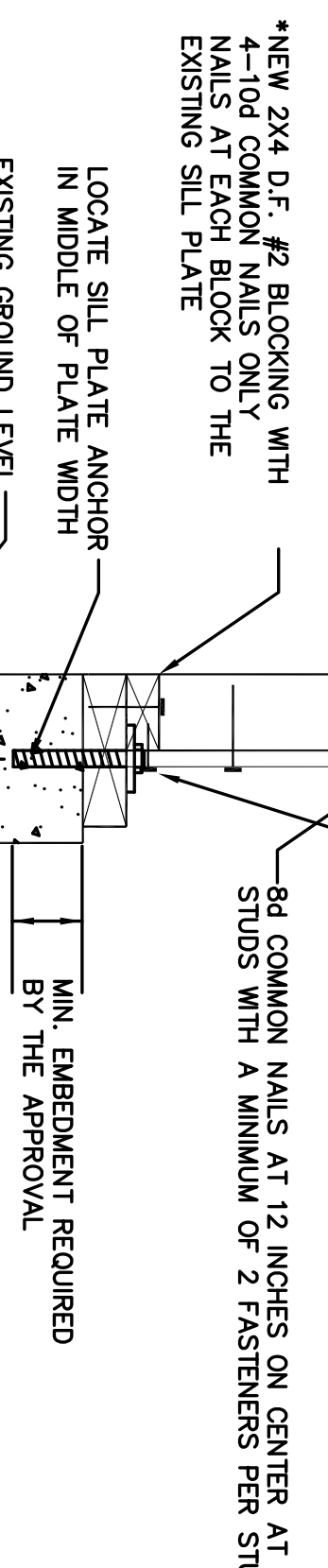
R. PERPENDICULAR JOISTS



S. CRIPPLE WALL BRACING--INTERIOR ELEVATION



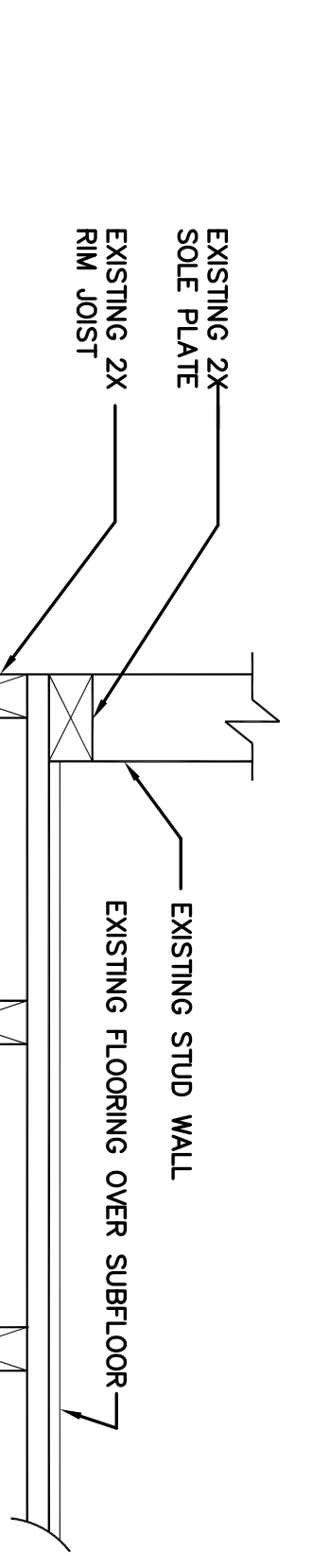
T. ANCHORAGE FOR JOISTS SUPPORTED ON CONCRETE



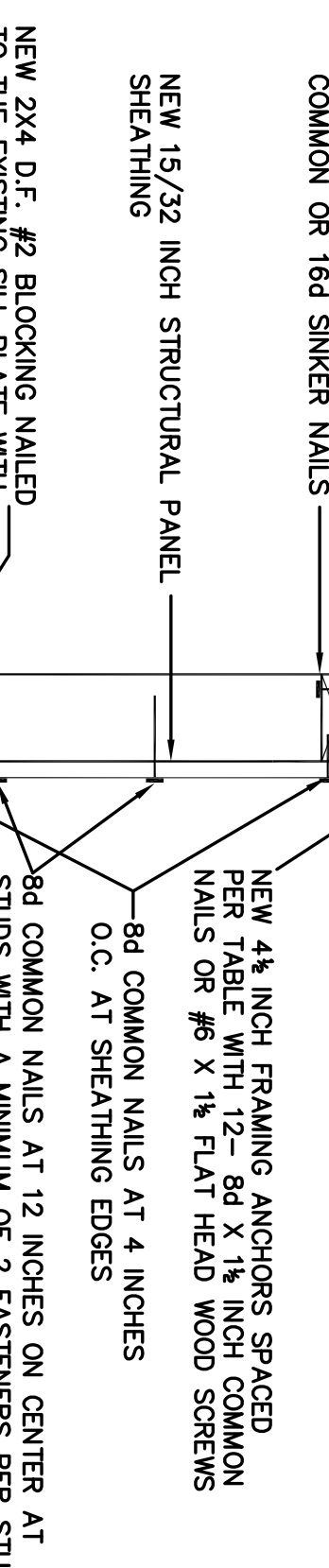
U. ANCHORAGE FOR JOISTS SUPPORTED ON CONCRETE



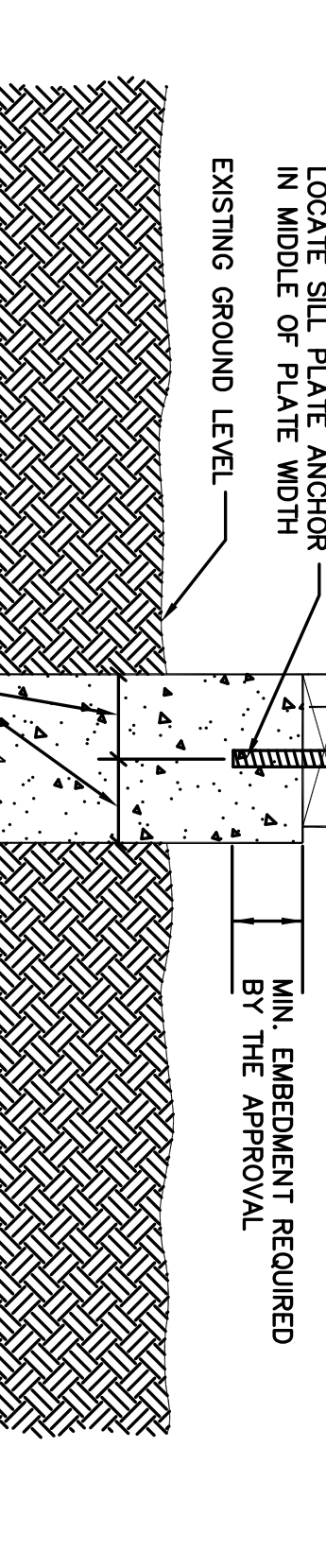
V. SINGLE TOP PLATE SPLICE



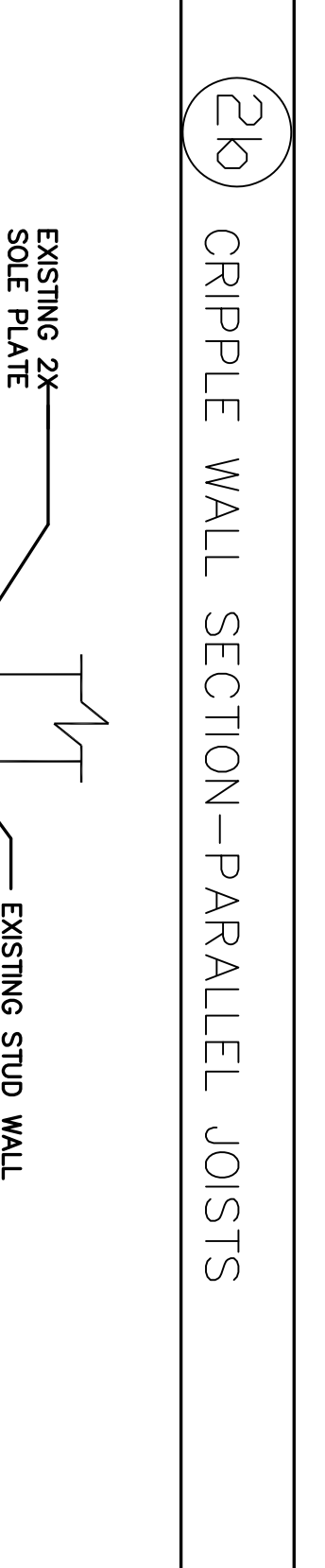
W. ALTERNATIVES TO SINGLE TOP PLATE SPLICE



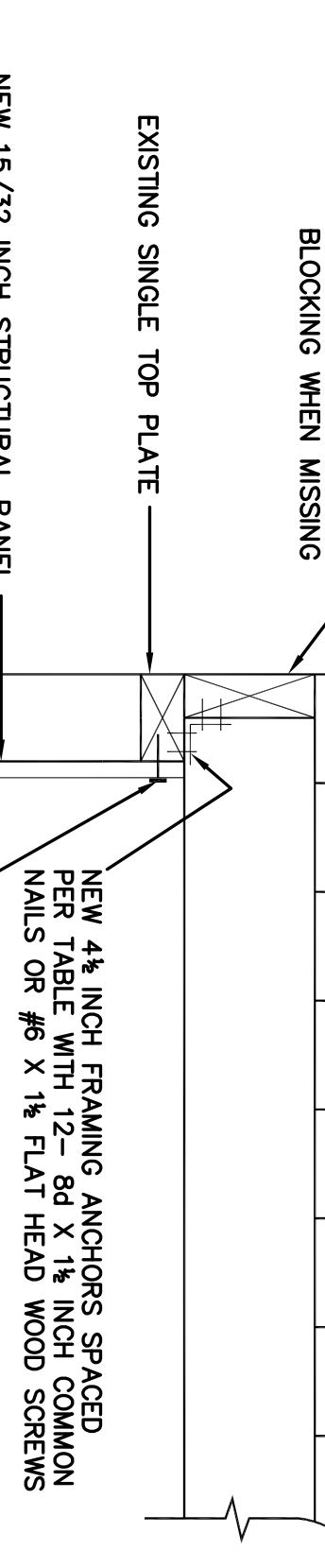
X. CRIPPLE WALL BRACING WITH PLYWOOD ON EXTERIOR FACE OF CRIPPLE STUDS



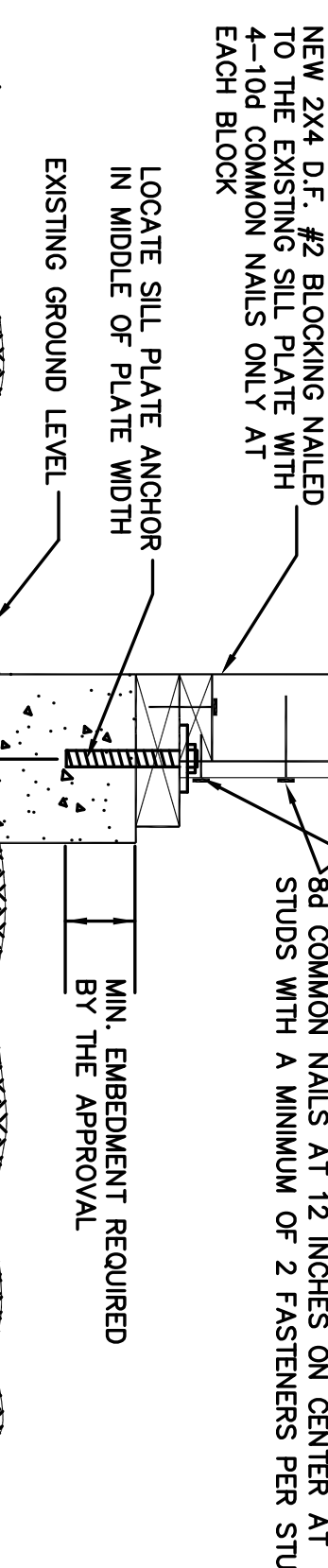
Y. CRIPPLE WALL BRACING WITH PLYWOOD ON EXTERIOR FACE OF CRIPPLE STUDS



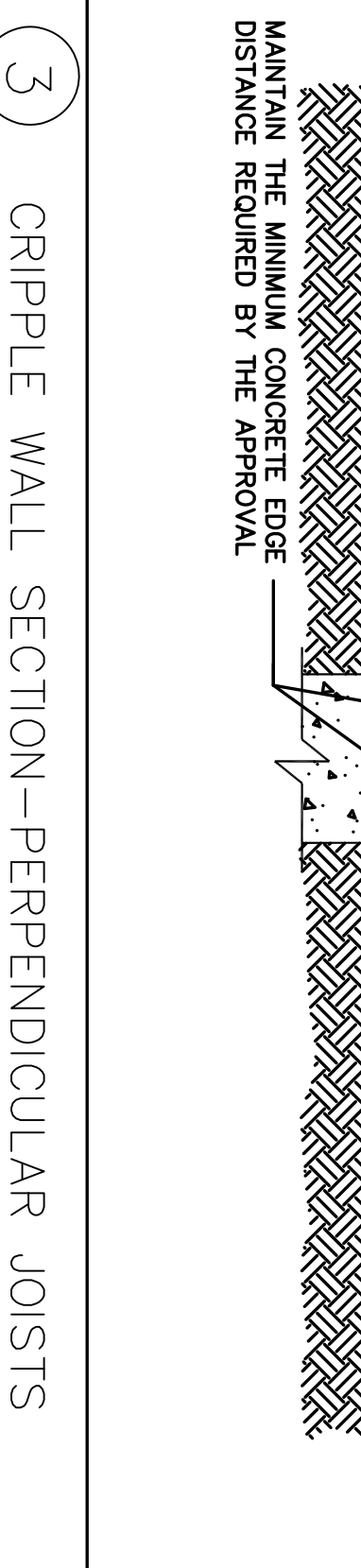
Z. CRIPPLE WALL BRACING WITH PLYWOOD ON EXTERIOR FACE OF CRIPPLE STUDS



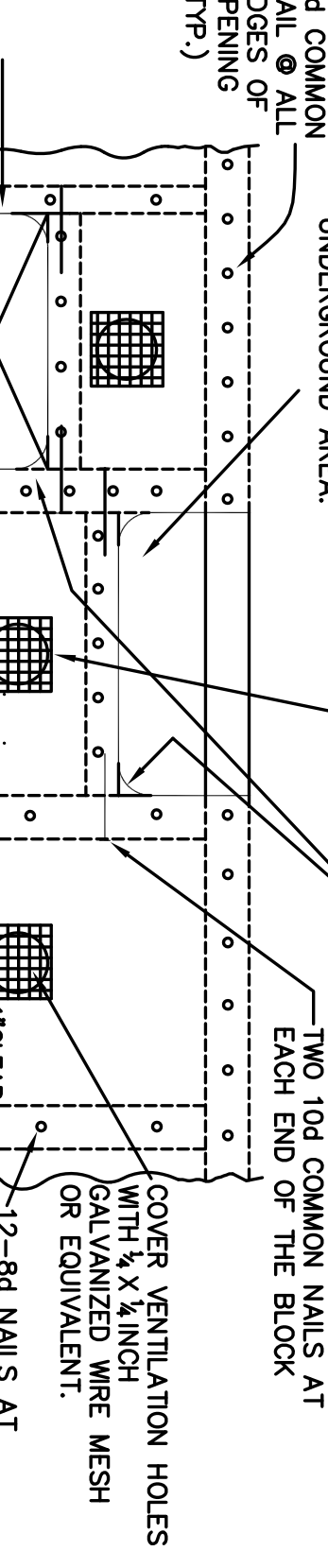
AA. CRIPPLE WALL BRACING WITH PLYWOOD ON EXTERIOR FACE OF CRIPPLE STUDS



AB. CRIPPLE WALL BRACING WITH PLYWOOD ON EXTERIOR FACE OF CRIPPLE STUDS



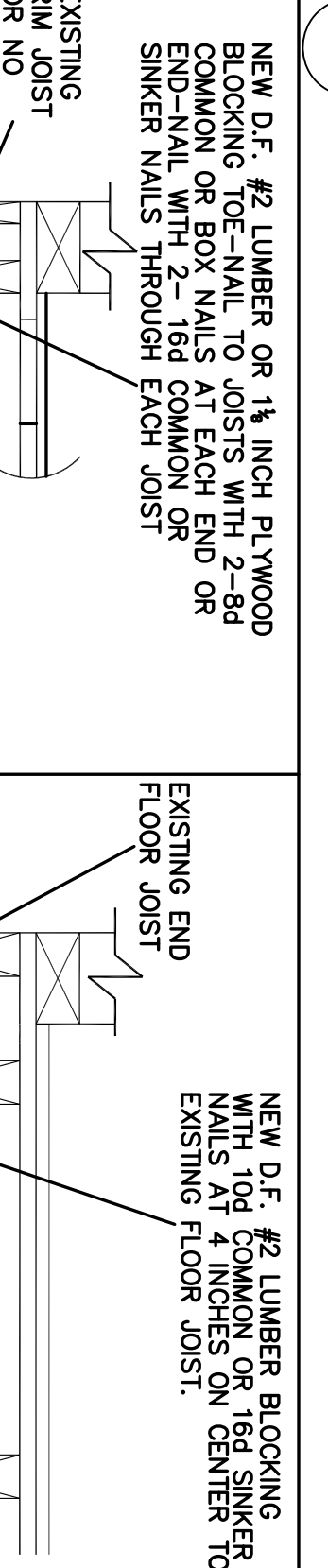
AC. CRIPPLE WALL BRACING WITH PLYWOOD ON EXTERIOR FACE OF CRIPPLE STUDS



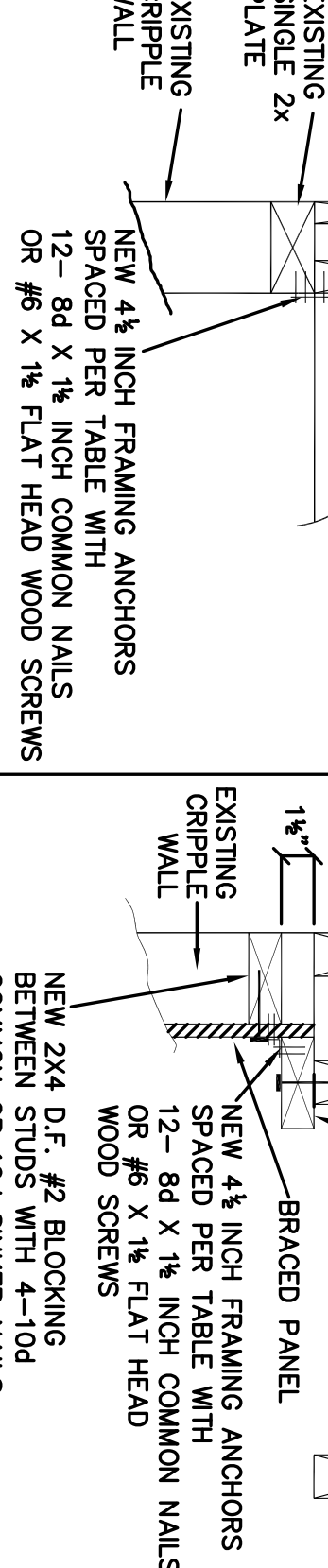
AD. CRIPPLE WALL BRACING WITH PLYWOOD ON EXTERIOR FACE OF CRIPPLE STUDS



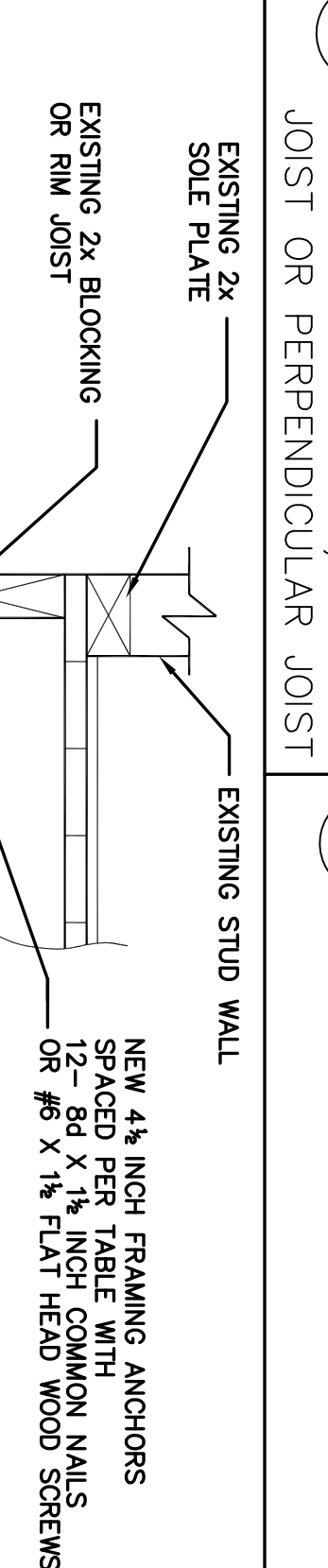
AE. CRIPPLE WALL BRACING WITH PLYWOOD ON EXTERIOR FACE OF CRIPPLE STUDS



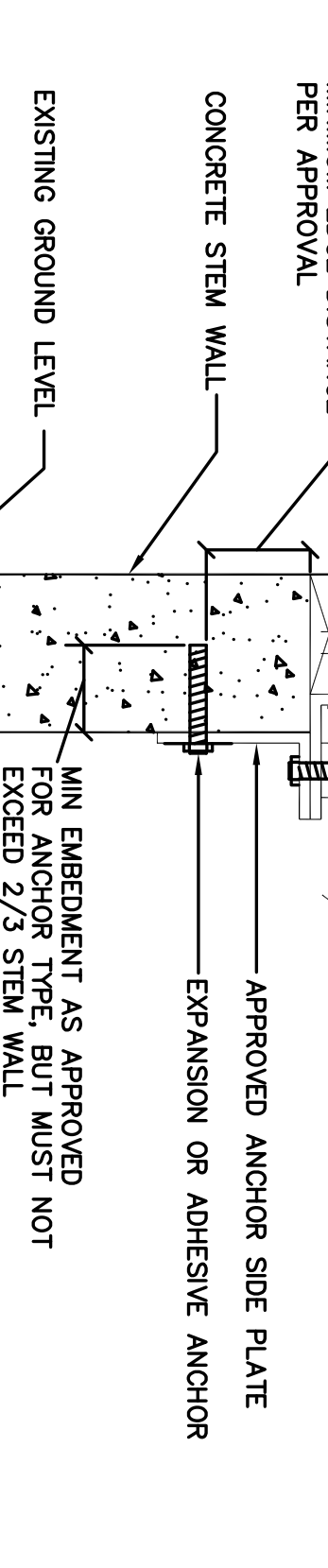
AF. CRIPPLE WALL BRACING WITH PLYWOOD ON EXTERIOR FACE OF CRIPPLE STUDS



AG. CRIPPLE WALL BRACING WITH PLYWOOD ON EXTERIOR FACE OF CRIPPLE STUDS



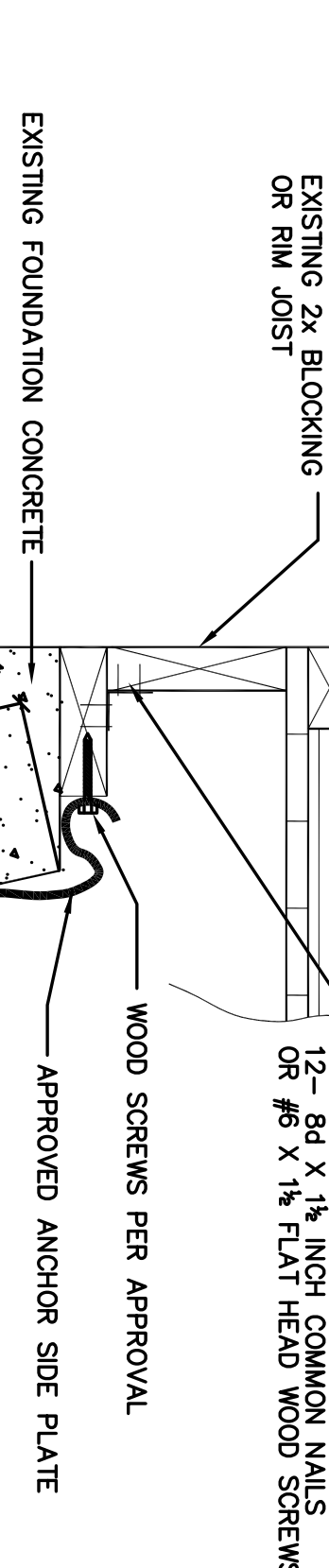
AH. CRIPPLE WALL BRACING WITH PLYWOOD ON EXTERIOR FACE OF CRIPPLE STUDS



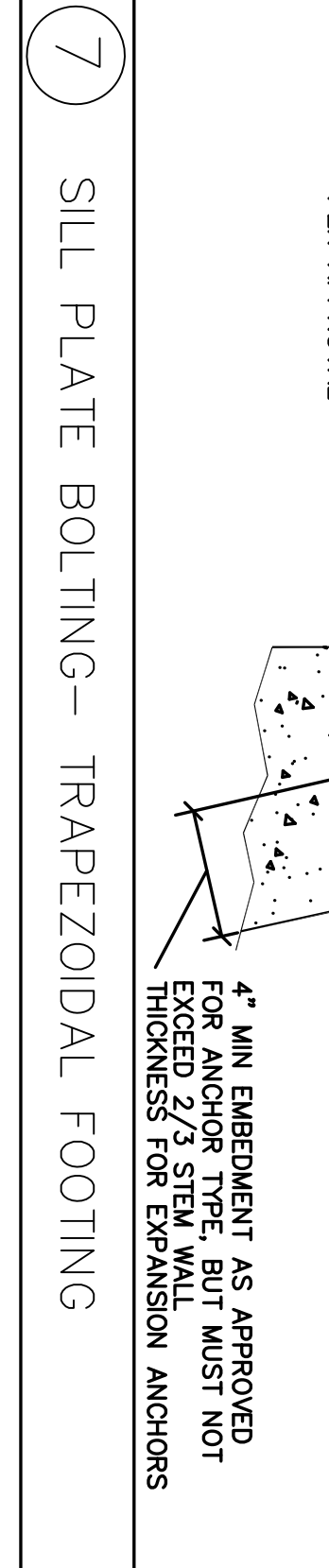
AI. CRIPPLE WALL BRACING WITH PLYWOOD ON EXTERIOR FACE OF CRIPPLE STUDS



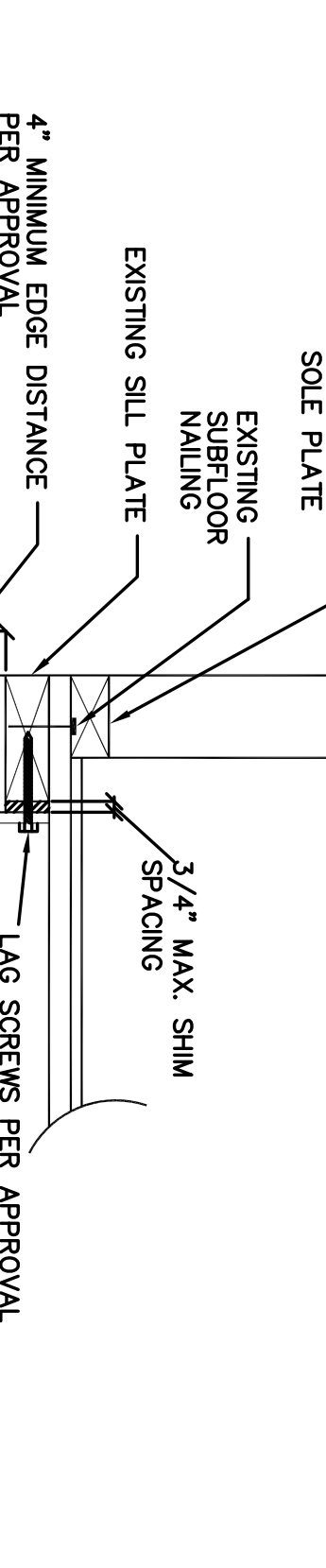
AJ. CRIPPLE WALL BRACING WITH PLYWOOD ON EXTERIOR FACE OF CRIPPLE STUDS



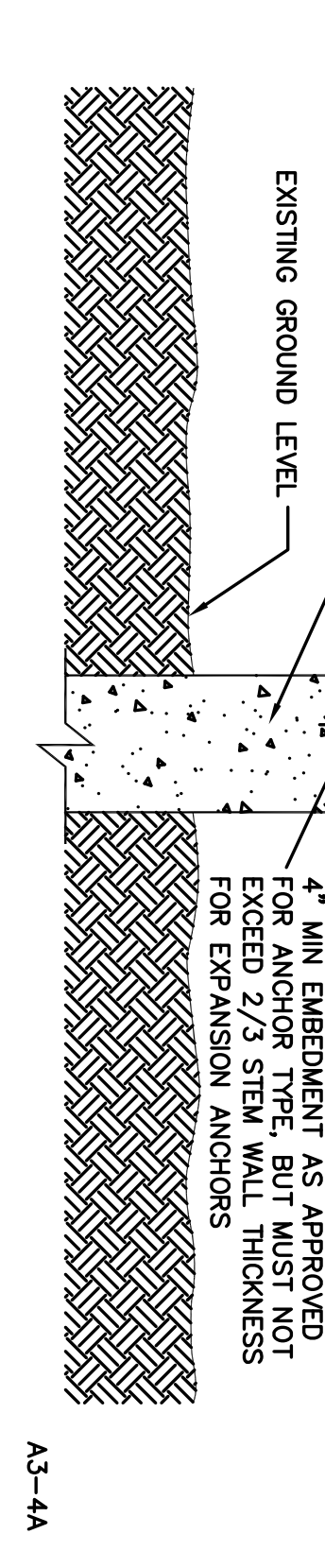
AK. CRIPPLE WALL BRACING WITH PLYWOOD ON EXTERIOR FACE OF CRIPPLE STUDS



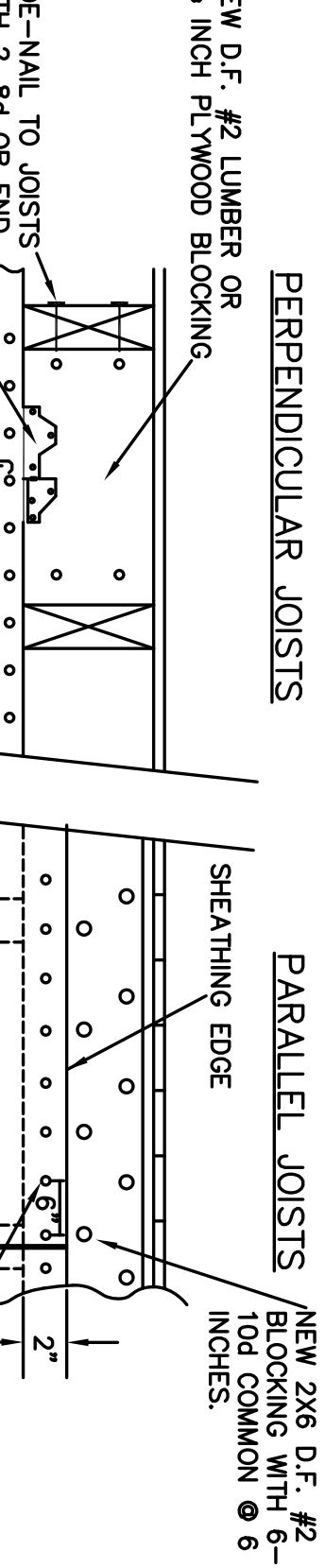
AL. CRIPPLE WALL BRACING WITH PLYWOOD ON EXTERIOR FACE OF CRIPPLE STUDS



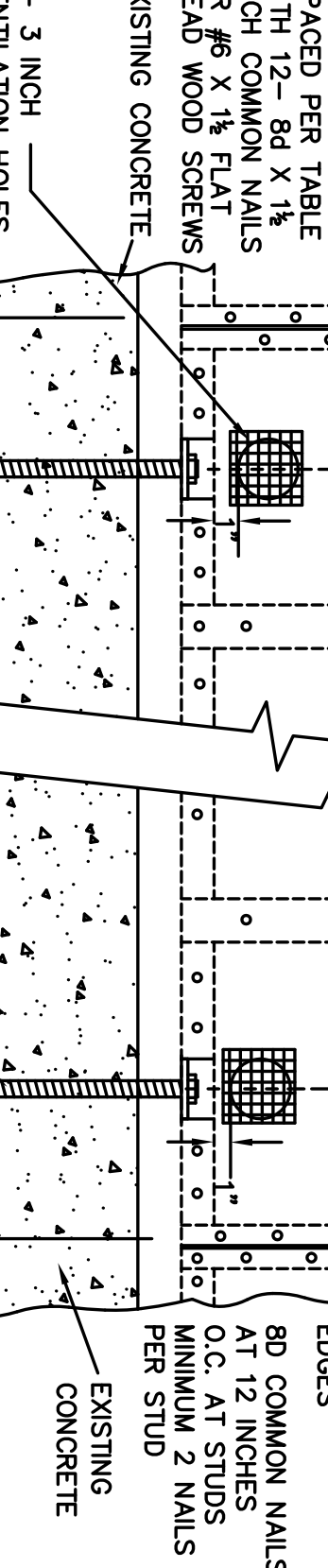
AM. CRIPPLE WALL BRACING WITH PLYWOOD ON EXTERIOR FACE OF CRIPPLE STUDS



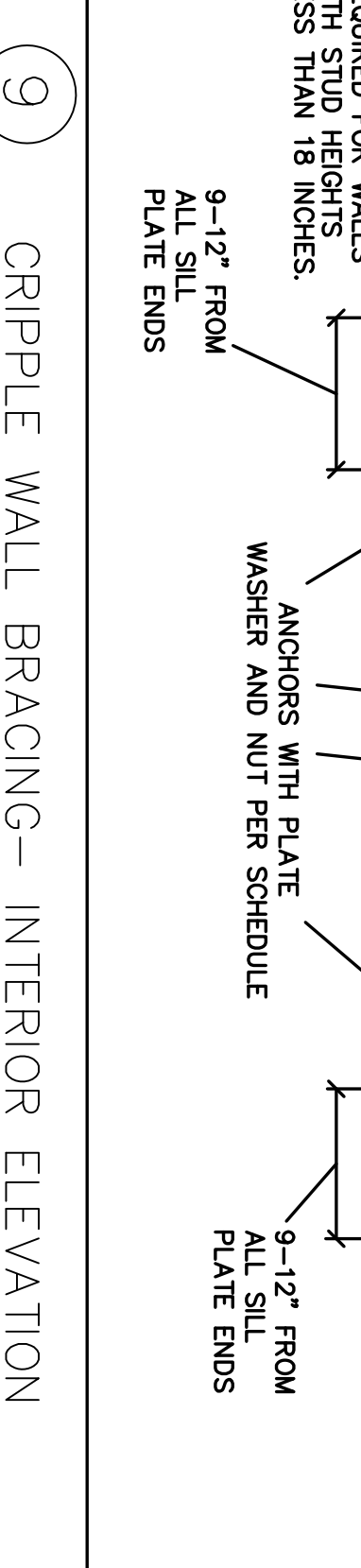
AN. CRIPPLE WALL BRACING WITH PLYWOOD ON EXTERIOR FACE OF CRIPPLE STUDS



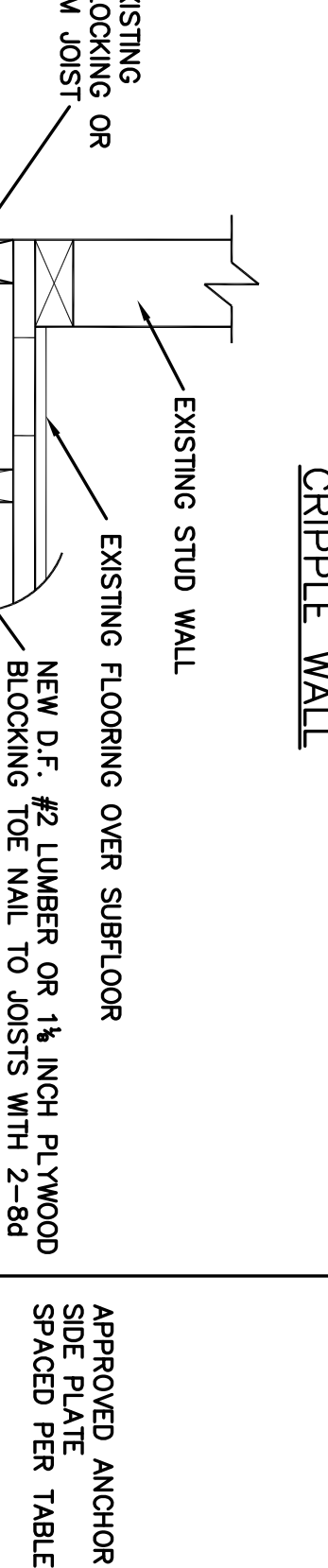
AO. CRIPPLE WALL BRACING WITH PLYWOOD ON EXTERIOR FACE OF CRIPPLE STUDS



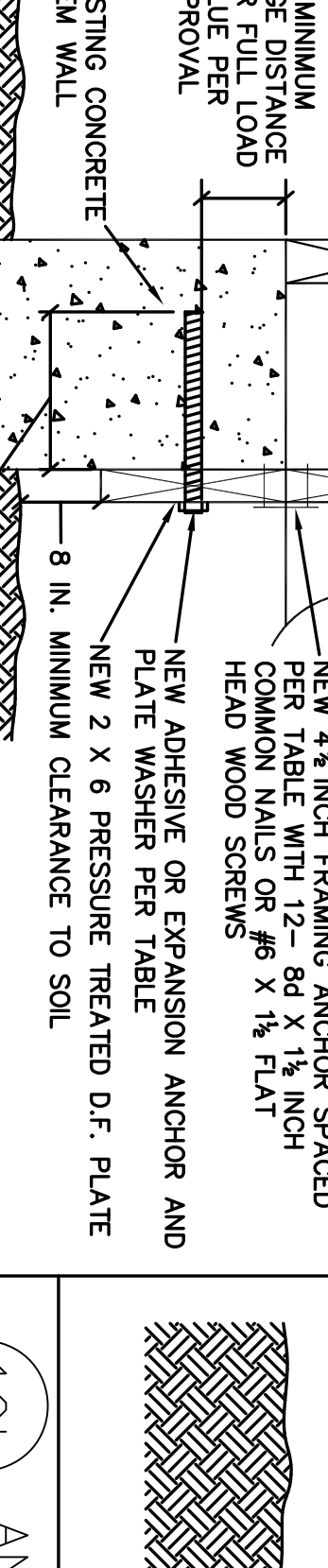
AP. CRIPPLE WALL BRACING WITH PLYWOOD ON EXTERIOR FACE OF CRIPPLE STUDS



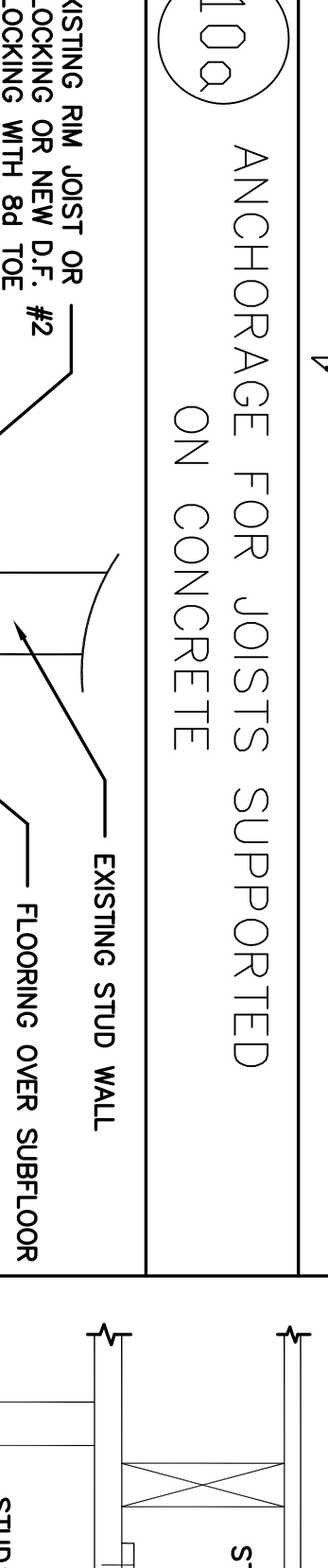
AP. CRIPPLE WALL BRACING WITH PLYWOOD ON EXTERIOR FACE OF CRIPPLE STUDS



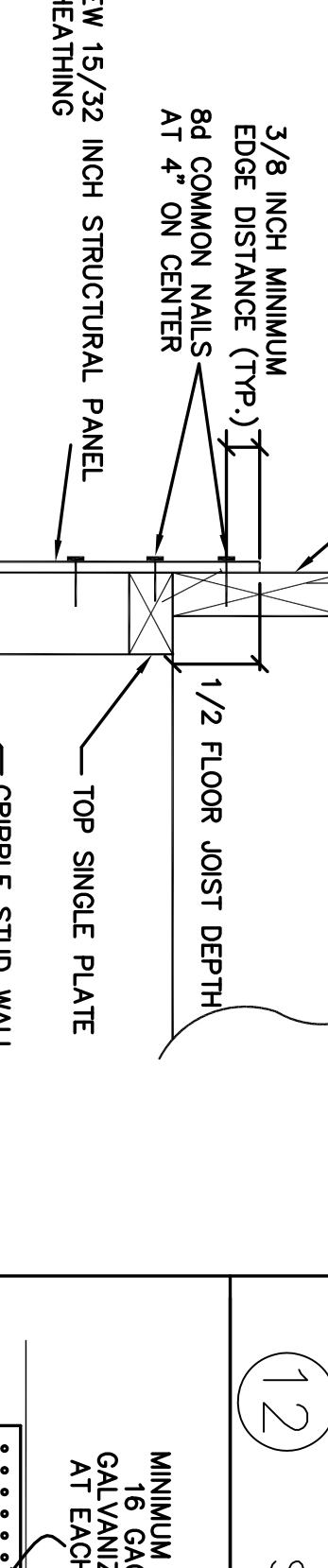
AQ. CRIPPLE WALL BRACING WITH PLYWOOD ON EXTERIOR FACE OF CRIPPLE STUDS



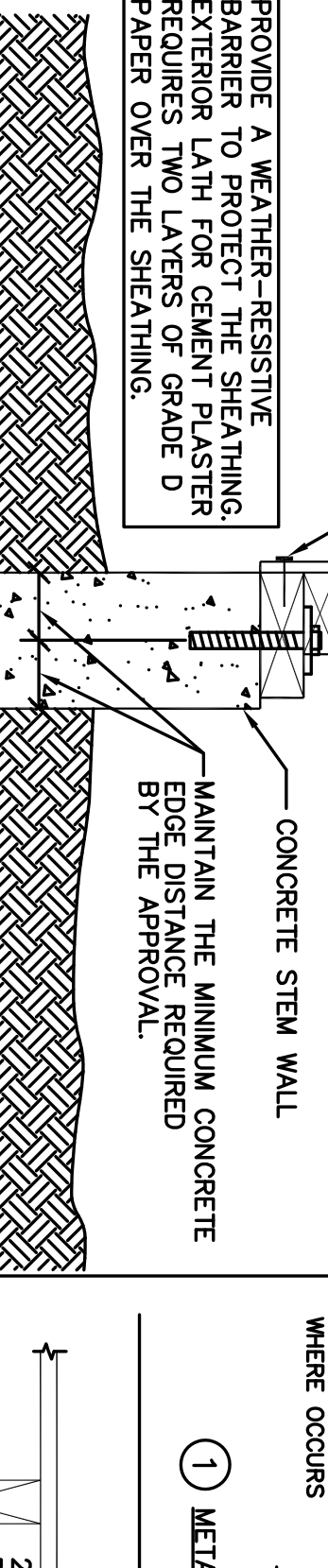
AR. CRIPPLE WALL BRACING WITH PLYWOOD ON EXTERIOR FACE OF CRIPPLE STUDS



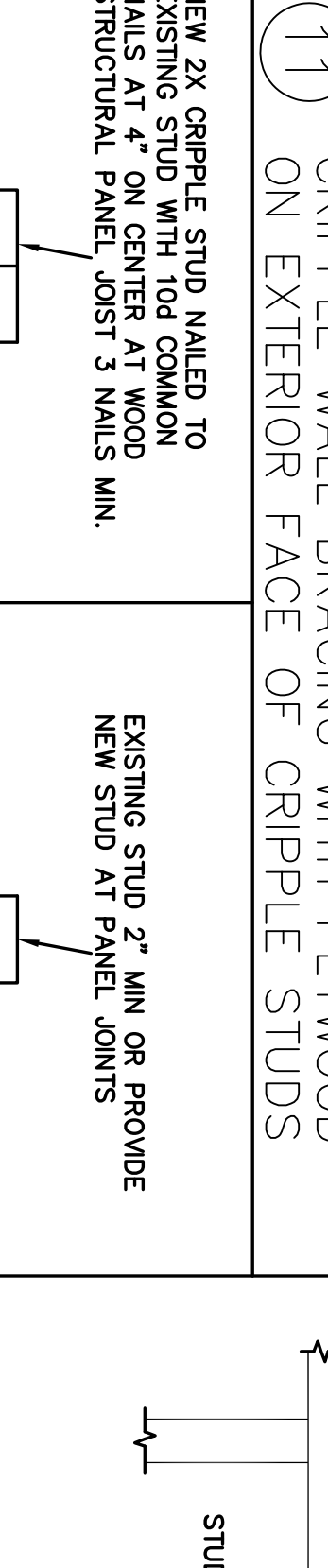
AS. CRIPPLE WALL BRACING WITH PLYWOOD ON EXTERIOR FACE OF CRIPPLE STUDS



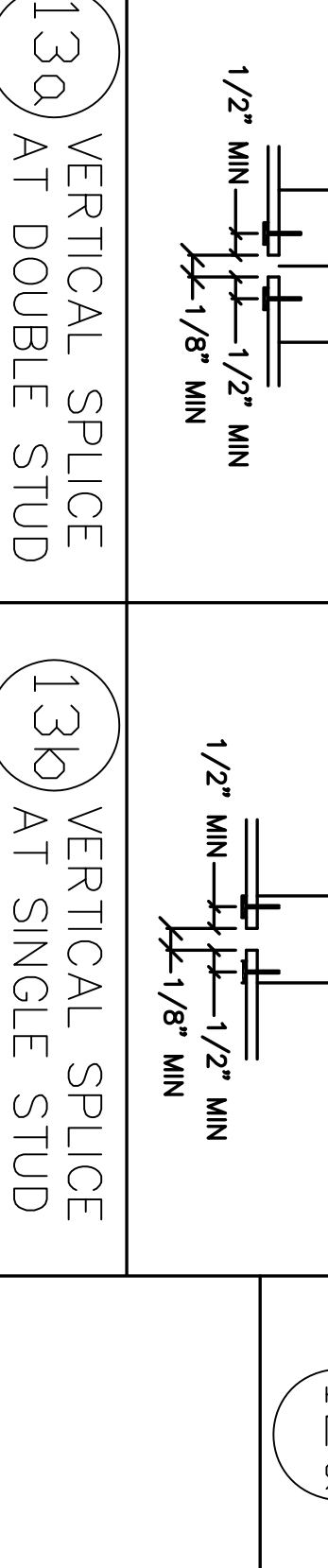
AT. CRIPPLE WALL BRACING WITH PLYWOOD ON EXTERIOR FACE OF CRIPPLE STUDS



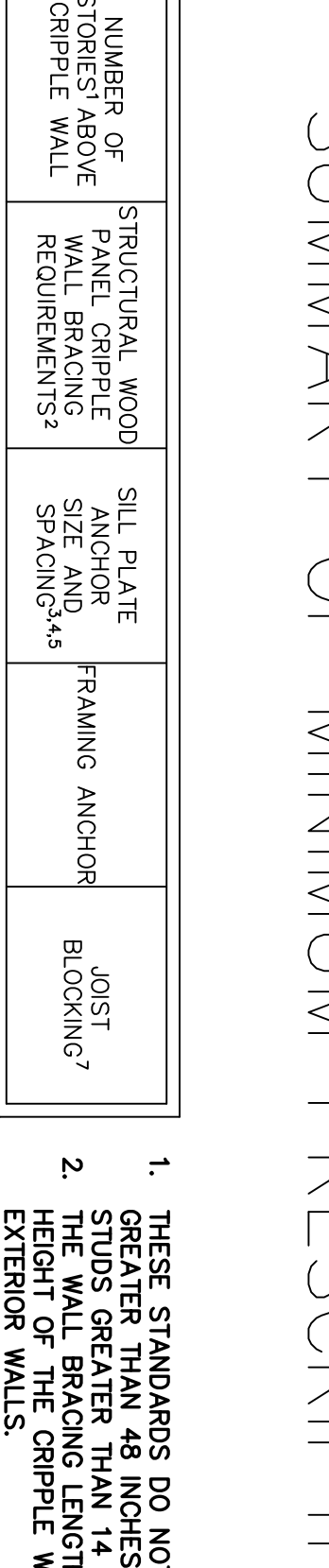
AU. CRIPPLE WALL BRACING WITH PLYWOOD ON EXTERIOR FACE OF CRIPPLE STUDS



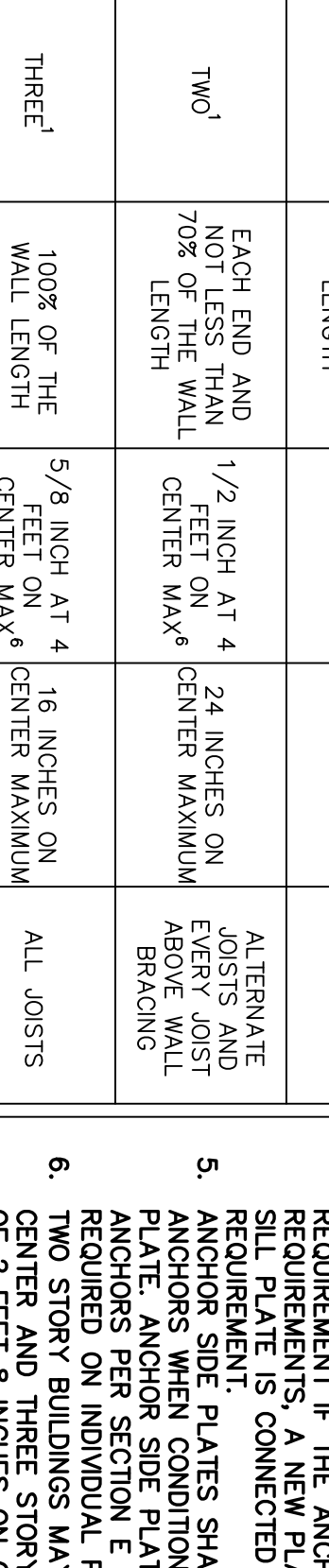
AV. CRIPPLE WALL BRACING WITH PLYWOOD ON EXTERIOR FACE OF CRIPPLE STUDS



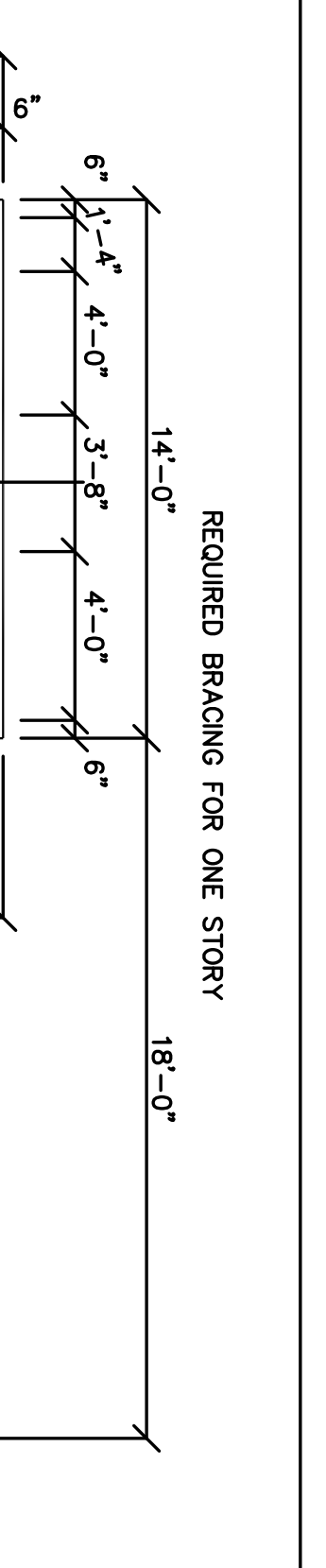
AW. CRIPPLE WALL BRACING WITH PLYWOOD ON EXTERIOR FACE OF CRIPPLE STUDS



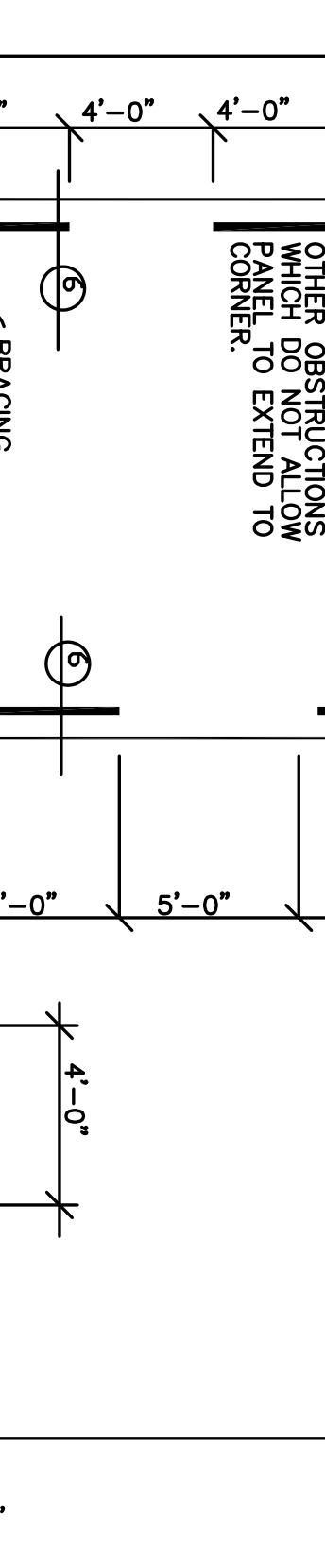
AX. CRIPPLE WALL BRACING WITH PLYWOOD ON EXTERIOR FACE OF CRIPPLE STUDS



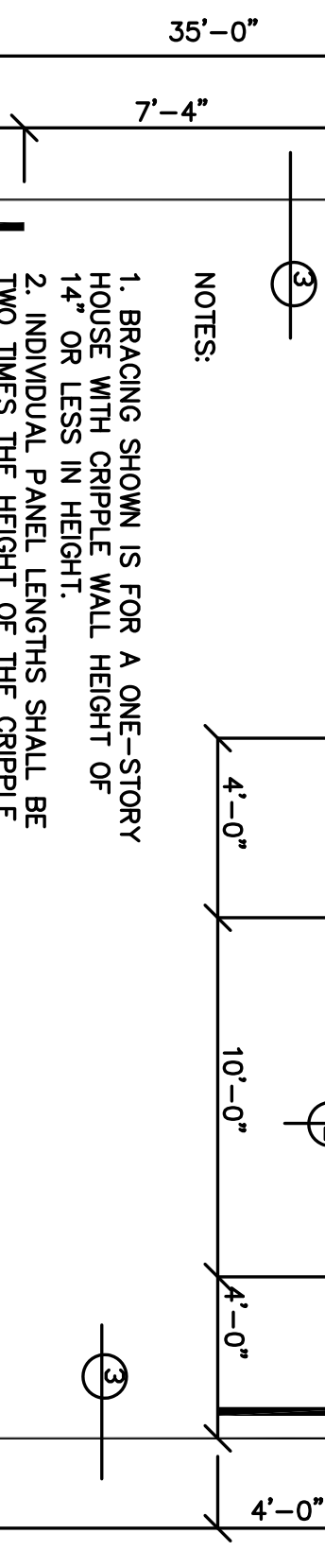
AY. CRIPPLE WALL BRACING WITH PLYWOOD ON EXTERIOR FACE OF CRIPPLE STUDS



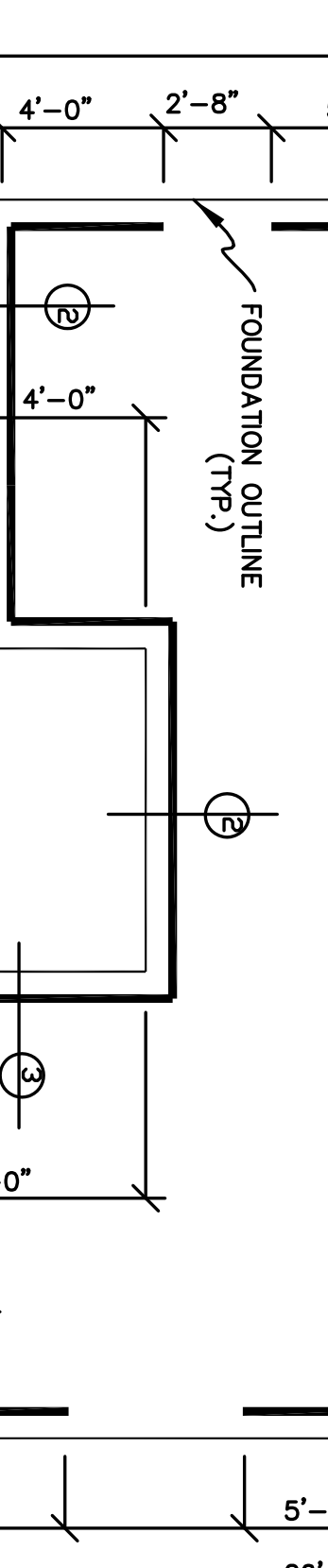
AZ. CRIPPLE WALL BRACING WITH PLYWOOD ON EXTERIOR FACE OF CRIPPLE STUDS



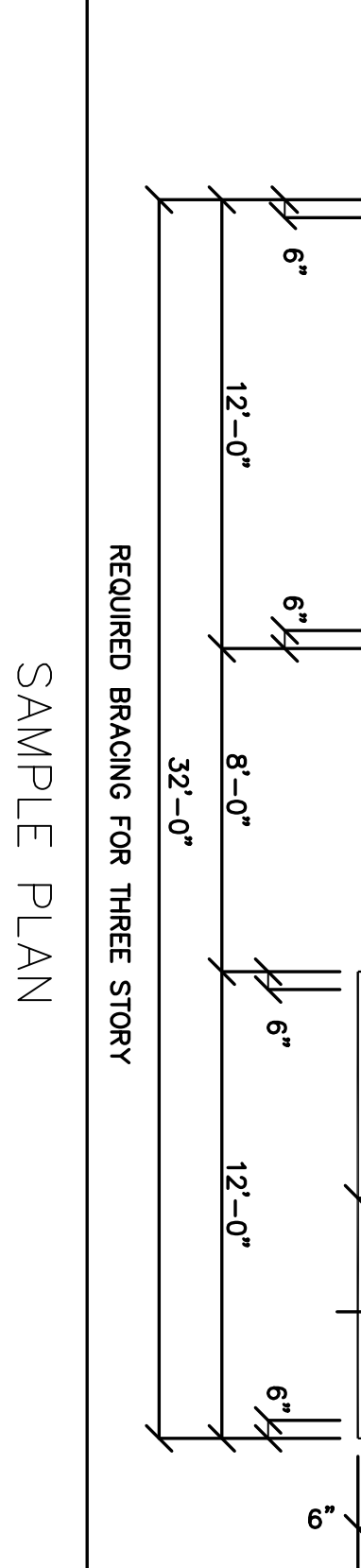
BA. CRIPPLE WALL BRACING WITH PLYWOOD ON EXTERIOR FACE OF CRIPPLE STUDS



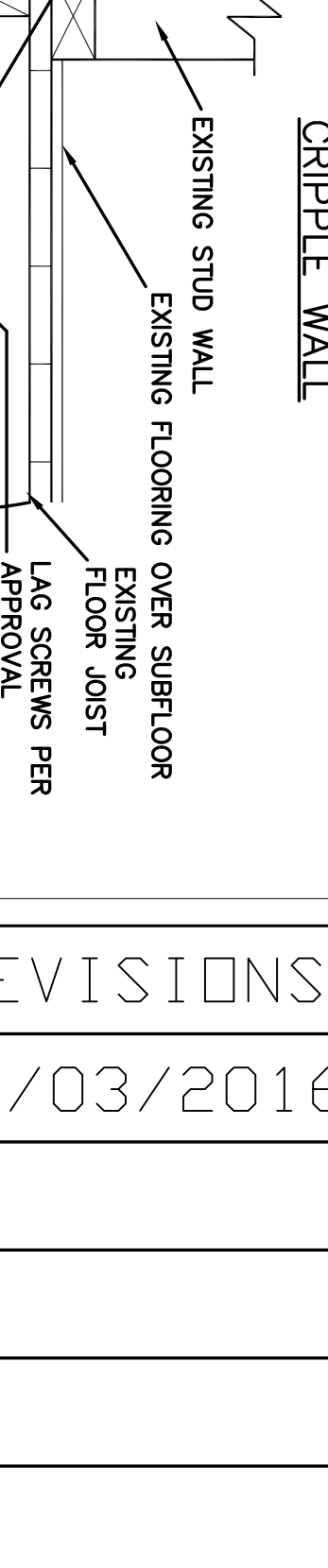
BB. CRIPPLE WALL BRACING WITH PLYWOOD ON EXTERIOR FACE OF CRIPPLE STUDS



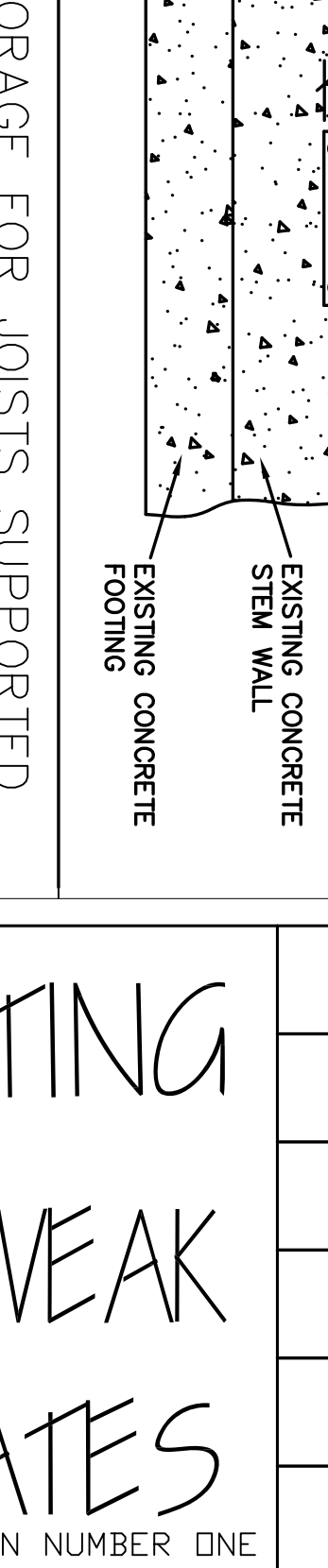
BC. CRIPPLE WALL BRACING WITH PLYWOOD ON EXTERIOR FACE OF CRIPPLE STUDS



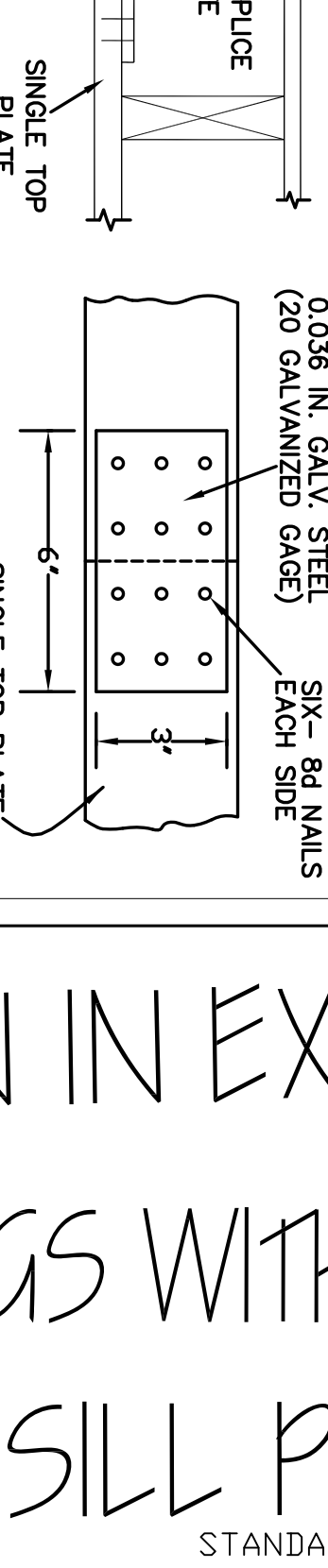
BD. CRIPPLE WALL BRACING WITH PLYWOOD ON EXTERIOR FACE OF CRIPPLE STUDS



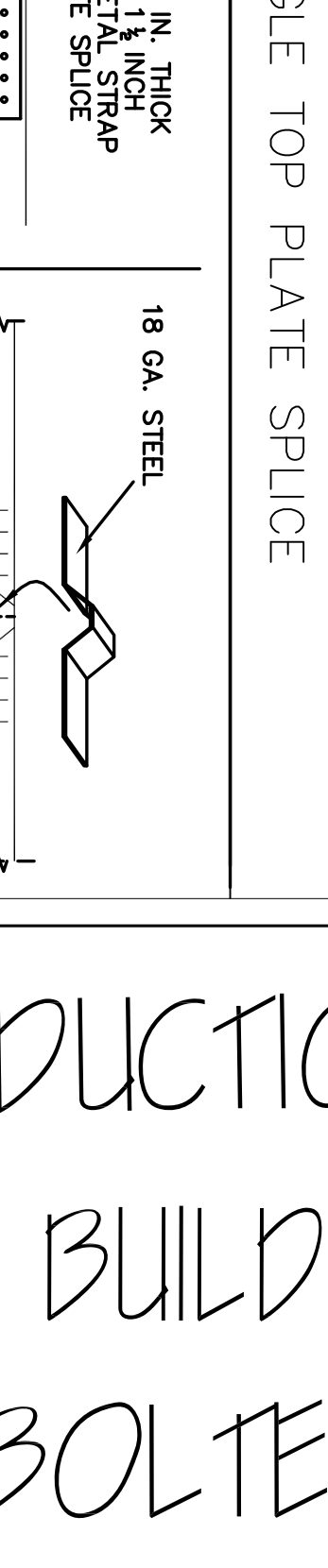
BE. CRIPPLE WALL BRACING WITH PLYWOOD ON EXTERIOR FACE OF CRIPPLE STUDS



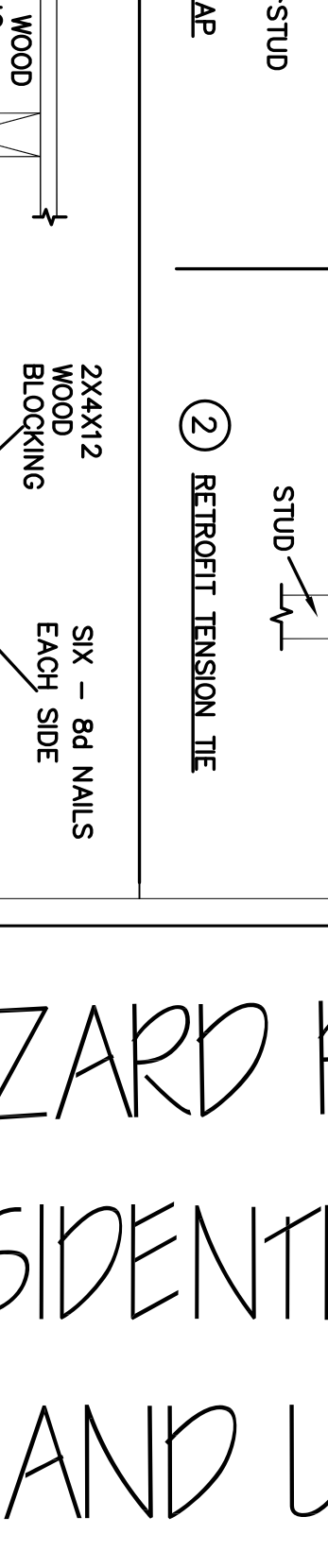
BF. CRIPPLE WALL BRACING WITH PLYWOOD ON EXTERIOR FACE OF CRIPPLE STUDS



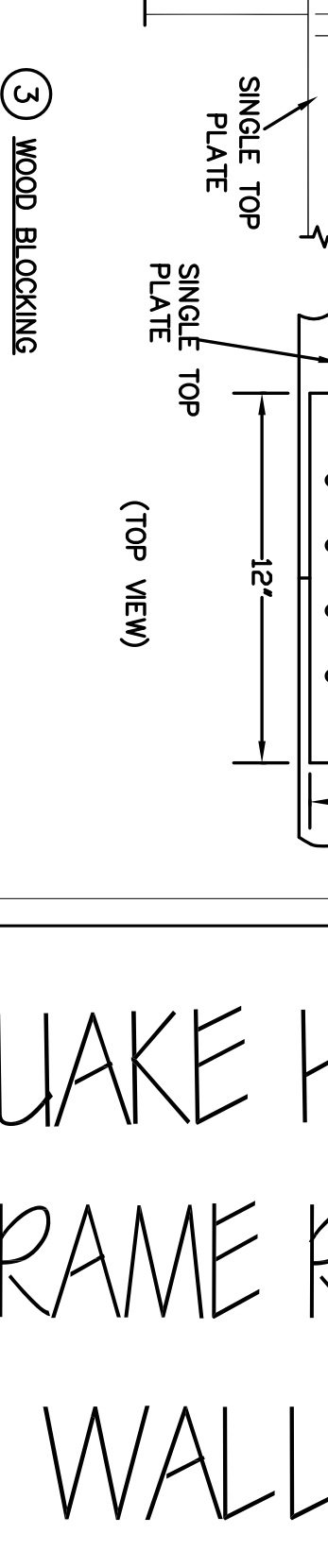
BG. CRIPPLE WALL BRACING WITH PLYWOOD ON EXTERIOR FACE OF CRIPPLE STUDS



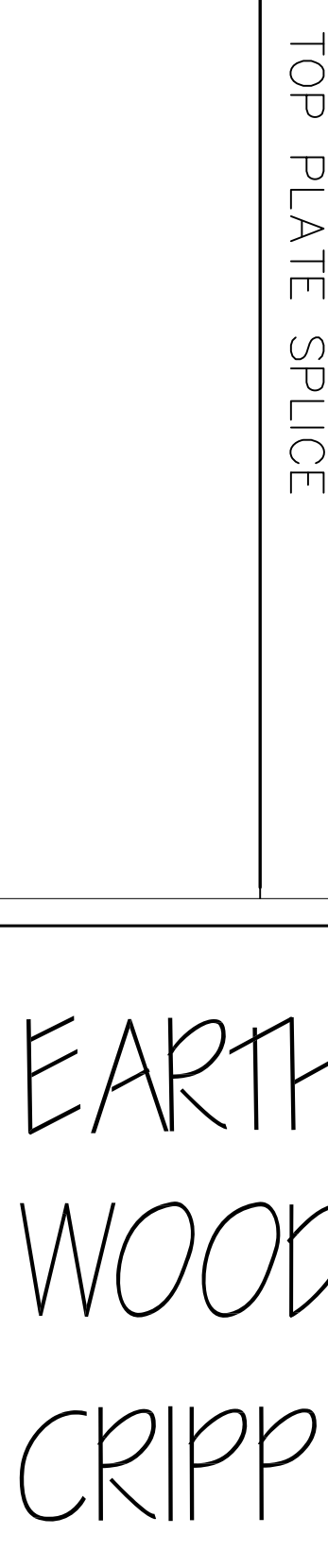
BH. CRIPPLE WALL BRACING WITH PLYWOOD ON EXTERIOR FACE OF CRIPPLE STUDS



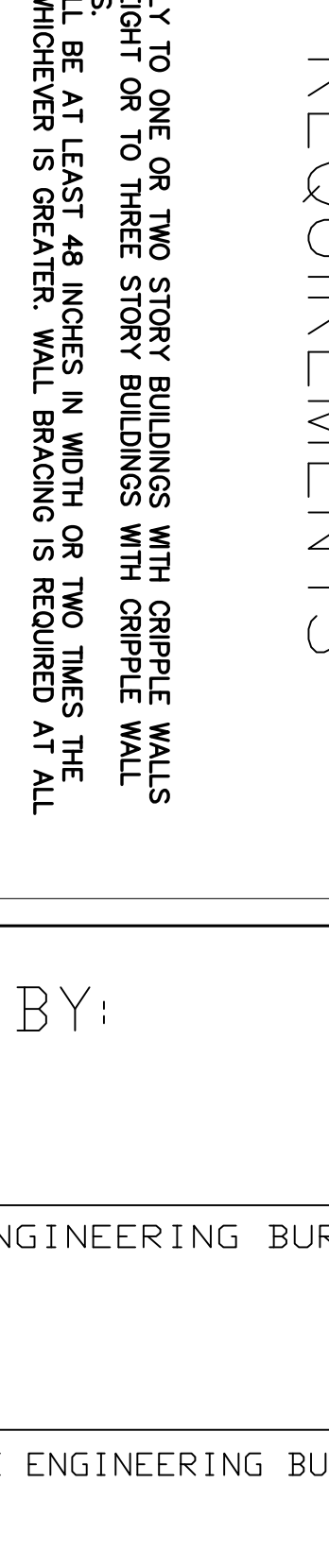
BI. CRIPPLE WALL BRACING WITH PLYWOOD ON EXTERIOR FACE OF CRIPPLE STUDS



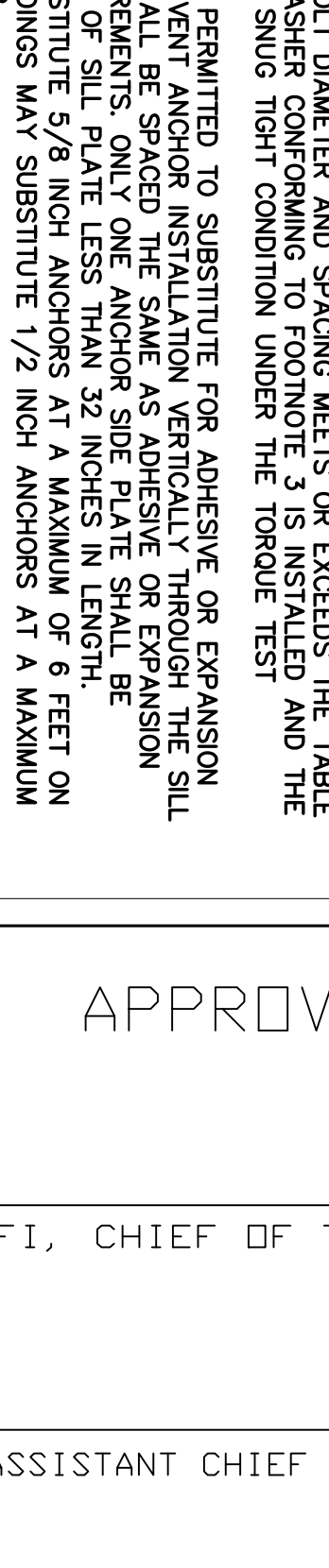
BJ. CRIPPLE WALL BRACING WITH PLYWOOD ON EXTERIOR FACE OF CRIPPLE STUDS



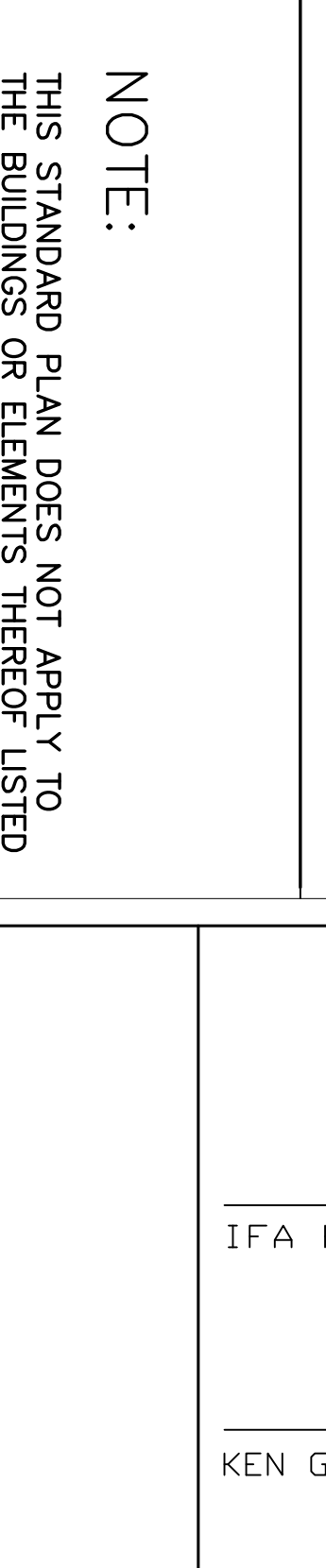
BK. CRIPPLE WALL BRACING WITH PLYWOOD ON EXTERIOR FACE OF CRIPPLE STUDS



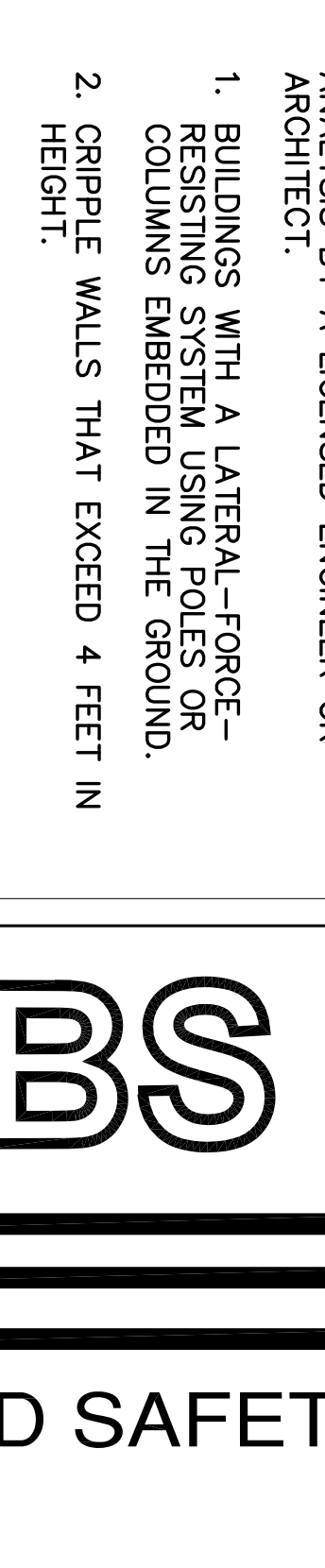
BL. CRIPPLE WALL BRACING WITH PLYWOOD ON EXTERIOR FACE OF CRIPPLE STUDS



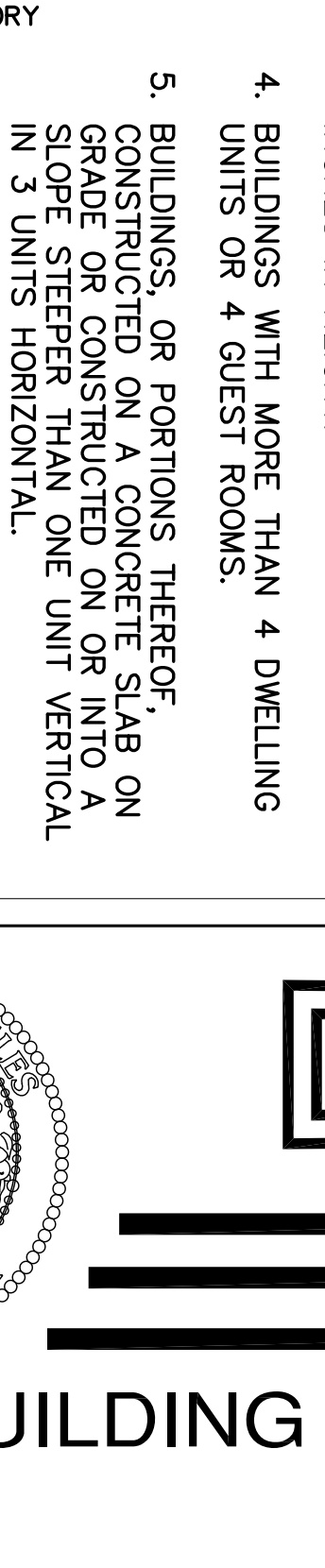
BM. CRIPPLE WALL BRACING WITH PLYWOOD ON EXTERIOR FACE OF CRIPPLE STUDS



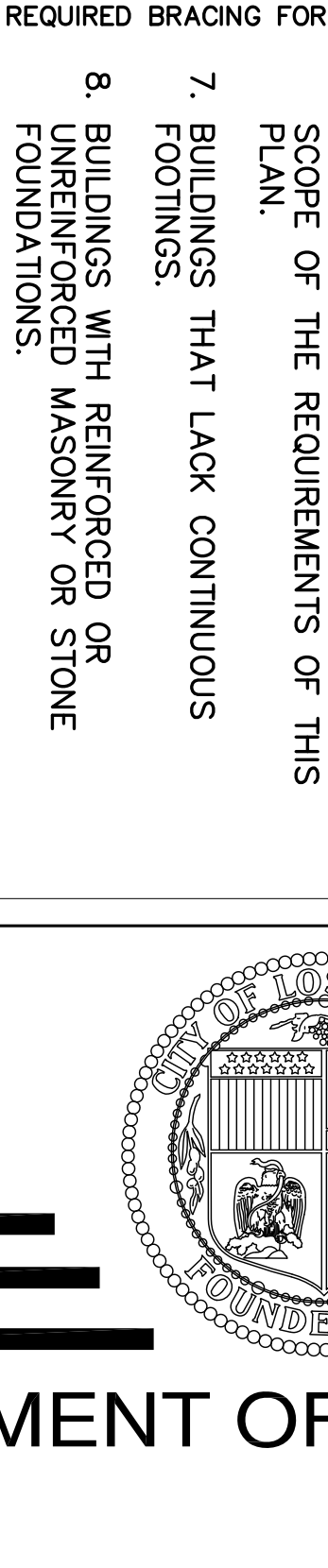
BN. CRIPPLE WALL BRACING WITH PLYWOOD ON EXTERIOR FACE OF CRIPPLE STUDS



BO. CRIPPLE WALL BRACING WITH PLYWOOD ON EXTERIOR FACE OF CRIPPLE STUDS



BP. CRIPPLE WALL BRACING WITH PLYWOOD ON EXTERIOR FACE OF CRIPPLE STUDS



BQ. CRIPPLE WALL BRACING WITH PLYWOOD ON EXTERIOR FACE OF CRIPPLE STUDS



REVISIONS: 05/03/2016

EARTHQUAKE HAZARD REDUCTION IN EXISTING WOOD FRAME RESIDENTIAL BUILDINGS WITH WEAK CRIPPLE WALLS AND UNBOLTED SILL PLATES

APPROVED BY: IFA KASHEFI, CHIEF OF THE ENGINEERING BUREAU